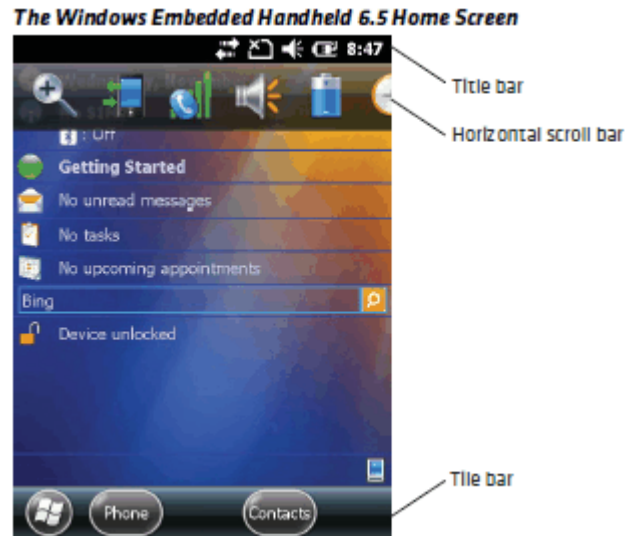




**Home Screen – View 1**



**Home Screen – View 2**



**Interacting with the Screen:**

Gesture	Description
Tap	Represents the left click of a mouse.
Double-tap	Represents the left double-click of a mouse.
Hold	Represents the right click of a mouse when you press and hold on the screen and a context menu appears.
Flick	Initiates scrolling in the direction (horizontal or vertical) the finger or stylus moves across the screen.
Pan	Press and hold on the screen and then drag in any direction.

;

**Touchscreen Calibration**

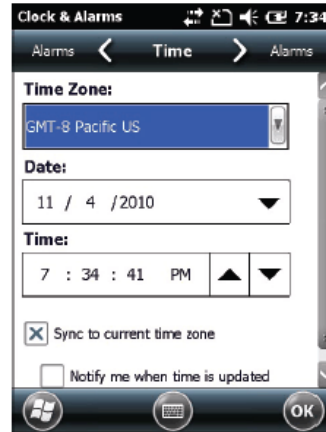
If the touchscreen is not responding properly to stylus touch taps, the touchscreen may need to be recalibrated.

- 1) Tap the **Start > Settings > System > Screen**
- 2) Follow the instructions on the screen  
 USE ONLY the STYLUS to complete the alignment.

### Set Date/Time/Time Zone

- 1) Tap the Start button in the system tray.
- 2) Select “Settings”, then “Clock and Alarms”.
- 3) Set your time zone.
- 4) Set the current date, time.
- 5) OK to Exit.

*Clock & Alarms Screen With Horizontal Scroll*



### Set Backlight Power

*(The unit has an ambient light sensor, and will turn off when there is no activity. Tap screen or press a key to resume)*

- 1) Tap the **Title** bar at the top of the **Home** screen. Horizontal scroll bar appears under the Title bar.
- 2) Tap the **Battery** icon. Power screen appears.
- 3) From the horizontal scroll bar at the top, select **Advanced**  
 On **Battery Power** – Make your choices.. Turn off screen, **check or uncheck** box, Set **Timer**  
 On **External Power** – Make your choices..Turn off screen, **check or uncheck** box, Set **Timer**
- 4) Select **OK** at the bottom right of the screen to save.

### Set Screen Brightness

- 1) Tap **Start > Settings > System > Backlight**
- 2) Adjust the slider to desired brightness
- 3) **Check or uncheck** box for “turn off backlight”... Set **Timer**”
- 4) **Check or uncheck** box for “turn on backlight” if button pressed, or screen tapped”
- 5) Tap **OK** at bottom right of the screen to save.

### Check Power Settings

- 1) Start | Settings
- 2) Tap the Power icon – power settings display

### Turn on ScanWedge

- 1) The ScanWedge Utility is active by default.
- 2) If the imager/scanner does not scan, it might be “disabled”.
- 3) To check the setting: **Start > Settings > Systems > Intermec Settings > Data Collection > Internal Scanner**
- 4) “Enable scanner port” should be “on”.....
- 5) If not, Tap **Enable Scanner Port** , and check box to enable scanner.
- 6) Tap **OK** at bottom of screen to save setting.

### Enable Barcode Symbology for Scanning:

- 1) While many typical barcode symbologies are enabled by default, others may need to be enabled for particular applications.
- 2) To enable or configure barcode symbologies: **Start > Settings > Systems > Intermec Settings > Data Collection > Internal Scanner > Symbologies**
- 3) Check and enable/configure the Symbologies required.

### Append Carriage Return to Barcode scan

If the screen cursor does not advance to the next data field in your application after scanning a barcode, you need to append a carriage return to the barcode scan.

- 1) From the Home Screen, **Start | Settings | System | Intermec Settings | Data Collection | Internal Scanner | Symbology Options | Post Amble**

#### Intermec Settings Main Menu



- 2) Enter **"\x0D"** for a Carriage Return
- 3) Tap **OK** at the bottom of the screen to Save your changes

**Enable Wireless 802.11 (WiFi) Radio:**

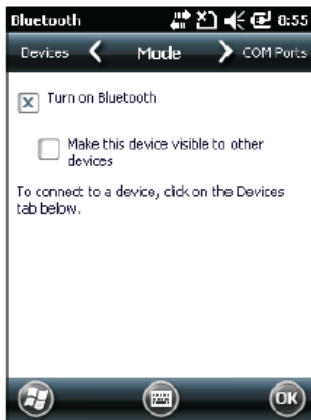
- 1) Tap: **Start > Settings > Systems > Intermec Settings > Communications > 802.11 Radio > Radio Enabled**
- 2) Select the **Radio Enabled** check box and Tap **OK**.
- 3) Use **Intermec Settings** to configure communication parameters (including security) for your network.

**Turn On/Off Bluetooth (opt 1):**

- 1) Tap: **Start > Settings > Connections | Wireless Center |**
- 2) Tap **Bluetooth** to turn on/off the Bluetooth radio
- 3) Tap **OK** to close the wireless center

**Turn On/Off & Configure Bluetooth (opt 2)**

- 1 Tap **Start > Settings > Bluetooth > Mode**.
- 2 Select the **Turn on Bluetooth** check box.



- 3 (Optional) If you want your mobile computer to be visible to other Bluetooth devices, choose **Make this device visible to other devices**.
- 4 Tap **OK**.

The Bluetooth radio maintains its state through a warm or cold boot and maintains virtual COM ports. But, if you clean boot your mobile computer you need to recreate pairings to devices.

| **Note:** Reference the Intermec CS40 User's Guide for specifics to connect to BT devices.

**Turning the Phone On and Off (Enable the phone):**

- 1) From the Home Screen, **Start | Settings | Connections | Wireless Center |**
- 2) Tap **Phone** to turn on the Phone
- 3) Tap **OK** to close the wireless center

**Make a Phone Call:**

- 1) Press **Phone** from the Home screen (or) Tap the green phone key on the upper left side of the keypad.
- 2) Tap the keys to enter the phone number you want to call
- 3) Tap **Talk**


**Take a Picture:**

- 1) Tap Start > **Pictures & Video**
- 2) Tap the **Camera** icon in the grid (or) the **Camera** button on the Title bar
- 3) Press **Enter** to take and save the picture.


**Turn off the Terminal:**

Press and hold the Power Button, at the upper right of the keypad (red phone icon on key  
OR)  
Select **Start | Shutdown** icon


## APPENDIX 1 – Embedded Intermec Functions

**iSpy WiFi** v:  **iSpyWiFi** Use iSpy WiFi to check 802.11 radio status and diagnose connection issues.


### Scan Diagnostic:

 **ScanDiagnostic** Use ScanDiagnostic application to diagnose problems with scanner.

### Wireless Center:

 **Wireless Center** Use the Wireless Center to turn radios (Wi-Fi, Bluetooth, phone) on and off and configure settings for each radio.


### Profile Settings:

 **Profile Settings** Use Profile Settings to easily configure the computer for a specific use. You can choose predefined values for the Camera, Power, and Scanning.

To apply a profile setting:

- Tap the Profile Setting you want to use. You will see a message that changes are saved and a check mark appears next to your choice.

### Intermec Settings:

 **Intermec Settings** Use Intermec Settings to configure your computer. You can use Intermec Settings to individually configure a computer or you can use it through SmartSystems to configure all of your computers.

Intermec Settings is located on the System screen.

To start Intermec Settings:

- Tap **Start > Settings > System > Intermec Settings**.

The Intermec Settings Main Menu appears.



## APPENDIX 2 – Configure Wireless 802.11 Radio/ Security/Network

### **Enable Wireless 802.11 (WiFi) Radio:**

- 4) Tap: **Start > Settings > System > Intermec Settings > Communications > 802.11 Radio > Radio Enabled**
- 5) Select the **Radio Enabled** check box and Tap **OK**.
- 6) Use **Intermec Settings** to configure communication parameters (including security) for your network.

### **Select Wireless Security Choice for 802.11 (WiFi) Radio:**

- 1) Tap: **Start > Settings > System > Intermec Settings > Communications > 802.11 Radio > Security Choice**
- 2) Select the **Funk Security** check box and Tap **OK**.
- 3) Use **Intermec Settings** to configure communication parameters (including security) for your network.

### **Setup Wireless Security Choice for 802.11 (WiFi) Radio (If USING Static WEP):**

- 1) Tap: **Start > Settings > System > Intermec Settings > Communications > 802.11 Radio > Funk Security**
- 2) Select the **Profile 1**. (or 2, 3 or 4 if adding additional Profiles)
- 3) Enter **Profile Label** (name)
- 4) Check **radio Box for Network type**:
  - a. Infrastructure for Access Points (*this is the typical choice*)
  - b. Ad Hoc for PC to PC, or Device to Device, or Device to PC
- 5) Enter **SSID** (unique wireless network name)
- 6) Check **radio Box for Power Mode**: check **CAM** (for constant awake mode)
- 7) Select **802.1x security type (if used)**: **none**
- 8) Select **Association**: **Open**
- 9) Set **Encryption**: **WEP**

Define a value for the keys you want to use. You can define up to four keys (**Key 1** through **Key 4**).

Enter an ASCII key or a hex key that is either 5 bytes or 13 bytes long depending on the capability of the radio. Set a 5- byte value for 64-bit WEP or a 13-byte value for 128-bit WEP. Hex keys must be **preceded by 0x** and contain 5 or 13 hex pairs.

For **Transmit key**, if used, choose the key you want to use for transmitting your data

- 10) The rest of the screen requires scrolling through to set any necessary security options. If you don't know what these are – contact the IT staff.
- 11) To Save your settings, Select **OK** at the bottom menu panel if no additional changes are needed.

**Setup Wireless Security Choice for 802.11 (WiFi) Radio (If USING Personal WPA/WPA2):**

- 1) Tap: **Start > Settings > System > Intermec Settings > Communications >802.11 Radio > Funk Security**
- 2) Select the **Profile 1**. (or 2, 3 or 4 if adding additional Profiles)
- 3) Enter **Profile Label** (name)
- 4) Check **radio Box for Network type**:
  - a. Infrastructure for Access Points (*this is the typical choice*)
  - b. Ad Hoc for PC to PC, or Device to Device, or Device to PC
- 5) Enter **SSID** (unique wireless network name)
- 6) Check **radio Box for Power Mode**: check **CAM** (for constant awake mode)
- 7) Select **802.1x security type (if used)**: **none**
- 8) Select **Association**: **WPA or WPA2**
- 9) Set your PSK (aka, Pre-shared key)

The pre-shared key must be a value of 32 hex pairs **preceded by 0x** for a total of 66 characters. The value must match the key value on the access point. The passphrase must be from 8 to 63 characters. After you enter a passphrase, the 70 Series internally converts it to a pre-shared key. This value must match the passphrase on the authenticator.

- 10) The rest of the screen requires scrolling through to set any necessary security options. If you don't know what these are – contact the IT staff.
- 11) To Save your settings, Select **OK** at the bottom menu panel if no additional changes are needed.

**Setup Wireless Security Choice for 802.11 (WiFi) Radio (USING Any OTHER Security Option).....**

***Reference the supplement document located on the GigaTrak website:  
Personal WPA/WPA2): IntermecCK\_CN\_SC Series WirelessConfigSupplement***

**Select Active Profile for Wireless Security for 802.11 WiFi) Radio:**

- 1) Tap: **Start > Settings > System > Intermec Settings > Communications >802.11 Radio > Funk Security**
- 2) Select **Active Profile**
- 3) Check desired **Profile** (1, 2, 3 or 4)
- 4) Enter **Profile Label** (name)
- 5) Select **OK** at the bottom menu panel.

**Setup IP Configuration for 802.11 (WiFi) Radio network communications:**

- 1) Tap: **Start > Settings > System > Intermec Settings > Communications > 802.11 Radio > IP Settings**
- 2) Select DHCP Check box if DHCP (dynamic host connect protocol) is used and IP address will automatically be assigned by a server.
- 3) Enter DHCP client ID (name) if applicable
- 4) **OR**
- 5) Uncheck DHCP if IP is static and will be assigned based on specific IP address given.
- 6) If Static IP, then enter required additional network information:
  - a. IP Address
  - b. Subnet Mask
  - c. Default Router
  - d. Primary DNS (if applicable)
  - e. Secondary DNS (if applicable)
  - f. Primary WINS (if applicable)
  - g. Secondary WINS (if applicable)
  - h. Enter **SSID** (unique wireless network name)
- 7) Select **OK** at the bottom menu panel if no additional changes are needed.

## APPENDIX 3 – GigaTrak Application Installation Notes

### **Microsoft Active Sync Installation (For Windows XP)**

- 1) Locate a copy of the latest version of Active Sync for your computer system. The correct version is available from Microsoft's WEB site or a copy is included on your CD. Version 4.5 is the latest from Microsoft as of this printing.
- 2) Look for the installation file (i.e. activesync\_setup.msi) and run it. We recommend that you follow the installation instructions and accept the standard default settings during your install.
- 3) Leave Active Sync running to install and connect your handheld computer.

NOTE: Some users may use a single PC to connect multiple handheld computers. If this is the case, it is best to setup your PC to recognize each handheld as a "Guest". This avoids having Active Sync loading shared data from your Outlook and other PC applications. To set all connected handhelds as a Guest, please double-click and run the provided "GuestOnly.reg" file. It will instantly update your system for future connections.

### **Windows Mobile Device Center Installation (For Windows Vista or Windows 7)**

- 1) Locate a copy of the latest version of Windows Mobile Device Center for your computer system. The correct version is available from Microsoft's WEB site or a copy is included on your CD.
- 2) Look for the installation file (i.e. drvupdate-x86.exe) and run it. We recommend that you follow the installation instructions and accept the standard default settings during your install.

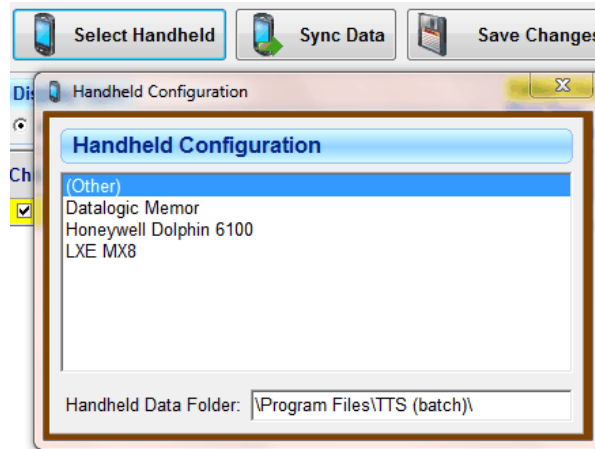
### **Install GigaTrak Handheld Application – WIRELESS and/or Batch versions**

The handheld application files can be found in the PocketPC folder of your installation CD (or was provided to you via email).

- 1) Connect the handheld docking station to your computer (typically a USB connection) and plug in the AC power cable.
- 2) Put the handheld in the dock and wait for it to sync with the PC.
- 3) Copy the CAB file to the device using ActiveSync (XP) or Windows Mobile Device Center (Vista/7). -- Any folder, it doesn't matter where.
- 4) Once the file(s) is(are) copied, disconnect the USB cable.
- 5) On the handheld itself, browse to the folder where you installed the \*.CAB file and click on the CAB file to install.
  - a. WIN\_xxx-W.cab (for the Wireless Application)
  - b. WIN\_xxx.cab (for the Batch Application)
- 6) If prompted, select **Device** as the install location. On the handheld, click the file to run it – this will install the application on the handheld.
- 7) Exit out to the main desktop screen on the handheld.
- 8) *Start | Programs | xxx\_xxx-W* to run the Wireless version of the application
- 9) *Start | Programs | xxx\_xxx* to run the Batch version of the application

*NOTE: From the PC Application, when selecting to Synchronize with a Batch terminal, set the following designation: Select **Download Icon** > Select **Handheld Button** > Select **(Other)***

*Files from the PC database will then download to/upload from the **Program Files\xxx (batch)\** directory on the handheld.*



## APPENDIX 4 – Intermec Support Manuals

*Additional CS40 Manuals online @ Intermec:*

<http://www.intermec.com> /Support | Manuals |  
Product Category- computers  
Product Family – Handheld Computers  
Product – CS40

<http://www.intermec.com/support/manuals/search.aspx?categoryid=3&familyid=8&productnodeid=CMPTRCS40>

## APPENDIX 5 - Reboot, Warm Boot, Cold Boot, Reset Terminal

### **Re-Boot Terminal:**

Rarely does the CN3 require resetting, but if it does not respond properly, a reset may be necessary. Perform a warm boot first and see if that fixes the problem. If it does not, then perform a cold boot.

### **Warm Boot the Handheld (Preferred Reset Method)**

Press the **Start | Programs | Shut Down** (OR) Scan the barcode below (must be high quality barcode print out):



The unit screen will systematically shut down, restart and go through the initialization process.

Press the Power button to restart.

### **Cold Boot the Handheld (Secondary Reset Method)**

Cold booting is only recommended if the computer completely stops responding. Cold booting the terminal may result in data loss. Configuration and network settings will be preserved.

To Cold Boot, tap **Start > Programs > Shut Down**.

Remove the battery pack, and wait at least 30 seconds..

Reinstall the battery pack.

Press Power and wait while the terminal boots:

When Cold Boot is complete, the Home screen will appear.

Set the date and time after each cold boot to ensure that the system clock is accurate.

### **Clean Boot the Handheld (Totally erases all memory in the terminal, including applications loaded by user. Will load only default files and original programs upon restart.)**

Clean booting is only recommended if the computer completely stops responding.

To Cold Boot, tap **Start > Programs > Shut Down**.

Remove the battery pack, and wait at least 30 seconds..

Reinstall the battery pack and press the **Power** button.

When the computer starts the boot process, simultaneously press and hold **[F3]** and **[F2]** until the IPL Boot Configuration Menu appears.

```

IPL Boot Configuration Menu
-----
(1) Force Image Update: No
(2) Force Clean Boot   : No
(3) Passive KITL      : No
(0) Continue with Boot...
    
```

Select **2** from the IPL Menu to Select **Force Clean Boot**

Then, Press **0** to Select **Continue with Boot**.

The computer will clean boot.....this process will take a few minutes..

When prompted, tap the screen to set up the computer.

Follow instructions to align computer and reset any system settings previously made.

Set the date and time after each cold boot to ensure that the system clock is accurate.

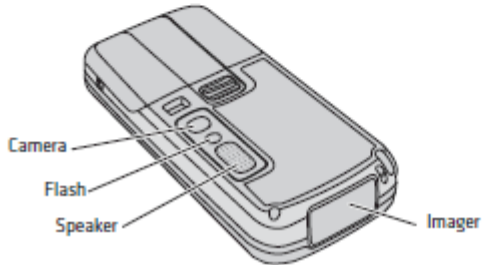
## APPENDIX 6 – CS40 Terminal Keypad and Overview

The Intermec CS40 Mobile Computer is a lightweight, rugged mobile computer built on the Microsoft Windows Mobile 6.5 operating system. This SmartPhone style mobile computer supports the latest High Speed Uplink Packet Access (HSUPA).

### CS40 Front View



### CS40 Back View



### Battery Status LED:

LED State	Description
Steady green	The CS40 is connected to a charger and the battery is more than 95% charged.
Blinking red	The battery is low. The CS40 goes into Suspend mode. Charge or replace the battery.
Steady red	The CS40 is connected to a charger and the battery is charging.
Steady orange	There is a battery error. The battery may be outside the allowable charging temperature or you may need to replace the battery.
Off	The CS40 is not on external power and the battery is operating normally.

**CS40 QWERTY Keypad**



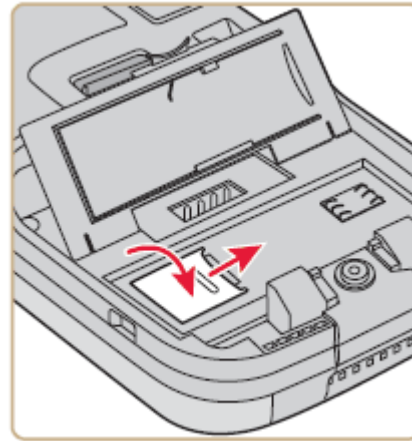
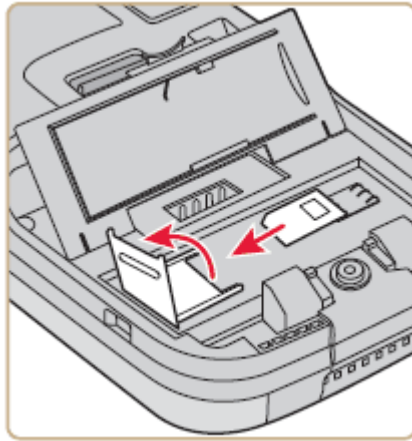
**CS40 Numeric Keypad**



## APPENDIX 7 – CS40 Micro SD Card Installation Overview:

Remove the battery, and open the compartment below it:

MicroSD card slides into bottom slot to the left



SIM card inserts into compartment door on the top right

